

TOTO

TOILETS

NEOREST AH

Luxurious Integrated Toilet



TOTO
GREEN
CHALLENGE



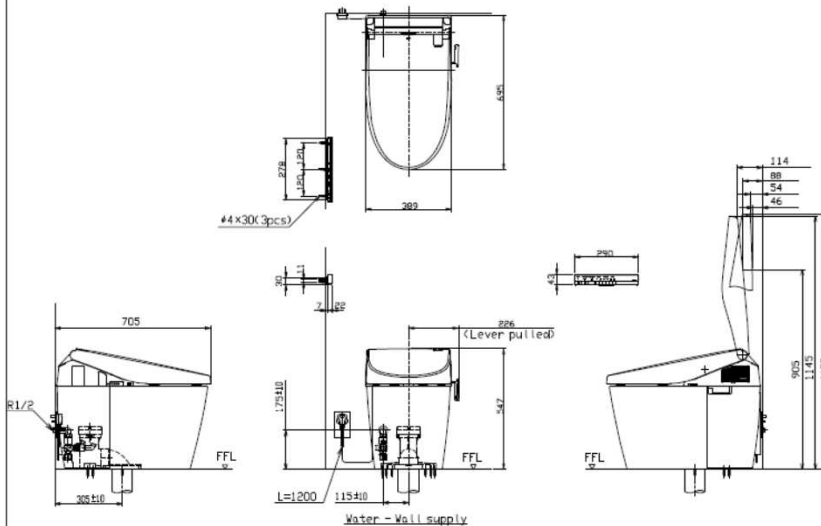
CS985VR/TCF9786JG
CS985PVR/TCF9786JG

Features

- Luxurious Toilet integrated with WASHLET unit.
- Hybrid Ecology System
 - water saving dual flush 3.8/ 3.0L (CS985PVR 4.8/ 3.4L)
 - minimum required water pressure only at 0.05Mpa (Dynamic)
- Tornado Flushing for powerful flushing effect with less amount of water.
- Reduced flushing sound
- *e*water⁺ automatically spreads out and keeps clean toilet bowl and nozzle by preventing bacteria with sanitizing effect
- CeFiONtect prevents debris on toilet surface
- Fully equipped with comfortable rear, front, and oscillating cleansing functions
- Auto lid opening and closing function
- Auto soft light function usable for night time usage

*e*water⁺ is made from tap water by electrolyzed chloride ion without any chemicals. After use, it returns to normal water in the state of safe and environmental friendly

CS985VR / TCF9786JG



Specifications

- Flush System** : Tornado Siphon Jet
Water Use : 3.8/ 3.0 L (CS985VR)
: 4.8/ 3.4 L (CS985PVR)
Rough-in : 305 mm (CS985VR)
: H=120~153mm (CS985PVR)
Water Pressure : 0.05Mpa ~ 0.75Mpa
Power Rating : 220 ~ 240V : 50/60Hz
Length of Power Cord : 1.2 m
Material : Bowl - china
Seat & Cover - plastic
Remote Controller - Aluminium
Size : 389Wx705Dx547H

Parts Description

- **CS985VR**
Water Closet Bowl (S-trap)
- **CS985PVR**
Water Closet Bowl (P-trap)
- **TCF9786JG**
WASHLET Unit

Colors

White

Please consult a TOTO representative for details

